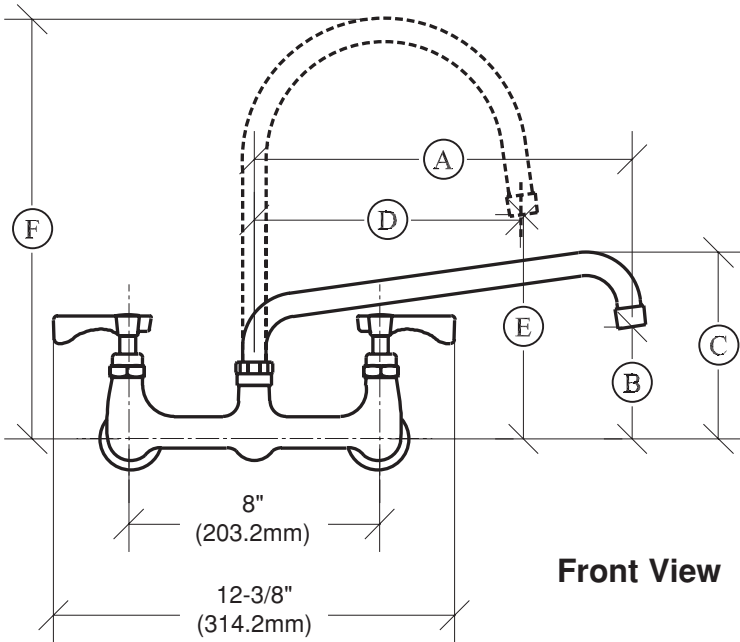


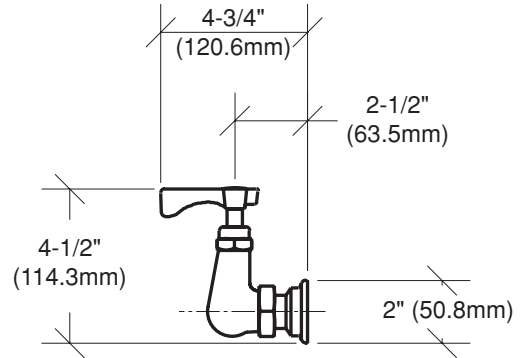
Model: \_\_\_\_\_

Item #: \_\_\_\_\_ Quantity: \_\_\_\_\_

Project: \_\_\_\_\_



**Front View**



**Side View**

**Gooseneck Spouts**

| MODEL NO. | A    | B      | C      |
|-----------|------|--------|--------|
| 14-806    | 6"   | 2 3/8" | 4 7/8" |
| 14-808    | 8"   | 2 3/8" | 4 7/8" |
| 14-810    | 10"  | 2 5/8" | 5 1/4" |
| 14-812    | 12"  | 3 1/8" | 5 5/8" |
| 14-814    | 14"  | 3 1/2" | 6"     |
| 14-816    | 16"  | 4 1/2" | 7"     |
| 14-818    | *18" | 5 1/2" | 8"     |

| MODEL NO. | D      | E      | F       |
|-----------|--------|--------|---------|
| 14-801    | 6"     | 6"     | 10"     |
| 14-802    | 8 1/2" | 7 1/2" | 12 7/8" |

\*double jointed spout

**FEATURES:**

- 1/4" TURN HIGH PERFORMANCE CERAMIC CARTRIDGE WITH BUILT IN BACK FLOW PREVENTORS
- HEAVY DUTY FLANGES WITH ECCENTRIC FITTINGS FOR QUICK INSTALLATION
- HEAVY DUTY SOLID BRASS SPOUT WITH DOUBLE O-RING CONSTRUCTION WITH REINFORCED SHOULDER FOR DURABILITY
- HIGH PRECISION MACHINING AND POLISHED NICKEL CHROMIUM FINISH
- COLOR CODED HANDLES
- OPTIONAL WRIST HANDLES AVAILABLE
- MOUNTING KIT INCLUDED (1/2" NPT x 1 1/2" MALE NIPPLES WITH LOCK NUTS)
- FULL REPLACEMENT PARTS AVAILABLE
- 1 YEAR WARRANTY

**SPECS:**

- 8" ON CENTER WALL MOUNT WITH 1/2" NPT FEMALE INLETS
- ROUGH IN: TWO 7/8" ROUND HOLES ON 8" CENTERS
- TEMP RANGE: 40°F TO 180°F
- SHIPPING WEIGHT: 5.5 LBS

Approved By: \_\_\_\_\_

Due to our commitment to continued product improvement, specifications are subject to change without notice.

**Phone: 800-631-0442**

**FAX: 973-872-1129**