

# Krowne

## ROYAL SERIES

### 8" Center Wall Mount Pre-Rinse

Model: 17-108W

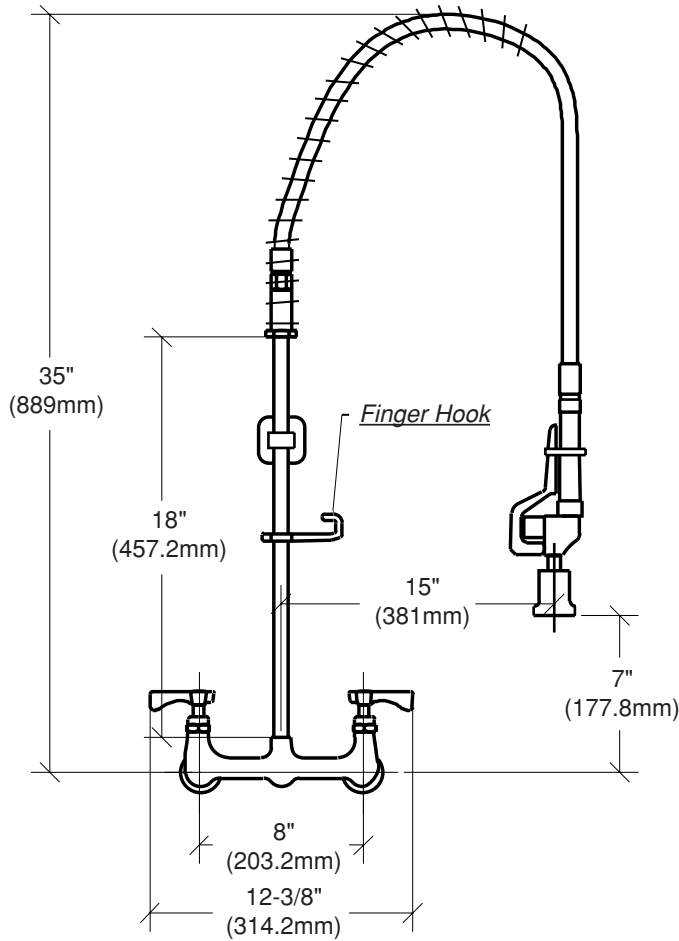
Item #: \_\_\_\_\_ Quantity: \_\_\_\_\_

Project: \_\_\_\_\_

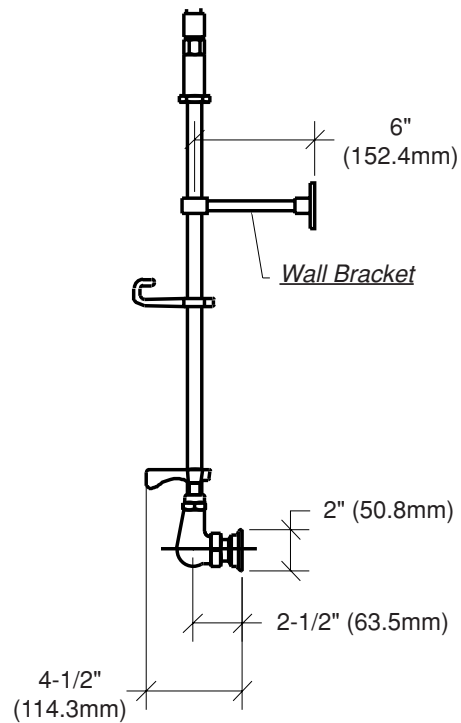


Plumbing

**QUICK  
CONNECT**



**Front View**



**Side View**

**FEATURES:**

- 1/4 TURN HIGH PERFORMANCE CERAMIC CARTRIDGE VALVES WITH BUILT IN BACK FLOW PREVENTORS
- HEAVY DUTY FLANGES WITH ECCENTRIC FITTINGS FOR QUICK INSTALLATIONS
- MOUNTING KIT INCLUDED (1/2" NPT x 1 1/2" MALE NIPPLES WITH LOCK NUTS)
- PRE-ASSEMBLED AT FACTORY TO CUT INSTALLATION TIME
- 44" HEAVY DUTY STAINLESS CLAD FLEXIBLE HOSE. TESTED TO 400 PSI
- WALL BRACKET INCLUDED
- FULL REPLACEMENT PARTS AVAILABLE
- 1 YEAR WARRANTY

**SPECS:**

- 8" ON CENTER WALL MOUNT WITH 1/2" NPT FEMALE INLETS
- ROUGH IN: TWO 7/8" ROUND HOLES ON 8" CENTERS
- WATER SAVER SPRAY HEAD, 1.5 GPM @ 60 PSI FLOW RATE COMPLIES WITH EPACT 2005
- 3/8" NPT x 18" RISER PIPE WITH HOOK. PRE-ASSEMBLED TO BASE AT FACTORY
- TEMP RANGE: 40°F TO 180°F
- SHIPPING WEIGHT: 13 LBS

Approved By: \_\_\_\_\_

Due to our commitment to continued product improvement, specifications are subject to change without notice.

**Krowne** Metal Corporation  
100 Haul Road Wayne, New Jersey 07470

[www.krowne.com](http://www.krowne.com)

**Phone: 800-631-0442**

**FAX: 973-872-1129**