



Item: _____
 Quantity: _____
 Project: _____
 Approval: _____
 Date: _____

Master Series Heavy Duty Open Burner Top Range

Models:

- M43R M43S M43T

Range With Six Open Star Burners



Model M43R

Standard Features:

- Stainless steel front, black powder coat epoxy sides
- 6" (152mm) chrome steel adj. legs
- 7-1/2" (191mm) stainless steel front rail
- Six (6) 24,000 BTU, (7 kW) natural, 20,000 BTU (5.86kW) propane Starfire burners
- Removable ring grate bowl over each burner
- Cast iron top grates
- One-piece Stainless Steel drip tray
- Piezo spark ignition for oven
- Fully porcelainized oven interior
- 40,000 BTU, (11.72 kW) natural gas, 35,000 BTU (10.75kW) propane gas cast iron oven burner
- Storage base interior of aluminized steel

Optional Features:

- Stainless steel left, right or both sides
- Stainless steel common front rail up to 68" (1728mm) wide (two or more units in a battery)
- Stainless steel main back

- Stainless steel oven interior
- Convection oven base, add C to Model No., e.g. M43RC
- Additional oven rack
- Rear gas connection; 3/4", 1", or 1-1/4" NPT
- Gas regulator 3/4" or 1-1/4"
- Gas shut off valve; 3/4", 1" or 1-1/4" NPT
- Gas flex hose & quick disconnect (3/4", 1" or 1-1/4" NPT x 5") w/restraining device, please specify
- End caps and cover, NC, specify
- 4 swivel casters w/front brakes
- 4 Polyurethane non-marking swivel casters w/front brakes
- 6" (152mm) stainless steel adj. legs
- Storage base shelf of aluminized or stainless steel
- Stainless steel tubular high shelf, single or double deck
- Stainless steel backguard: 10" (354mm), 17" (432mm) or 33" (838mm)
- 230 volt, 50 cycle components, RC motor (export)
- Celsius dial for oven thermostat, NC

Specifications:

Heavy-duty gas range with oven, with six (6) 24,000 BTU, (7 kW), Starfire burners. Heavy-duty cast iron top grates/ring grates. 34" (864mm) wide x 38" (965mm) deep, including 7-1/2" (191mm) deep stainless steel front rail. Porcelain enamel oven interior with 40,000 BTU, (11.72 kW), cast iron burner. Stainless steel front with black powder coat epoxy sides. Natural or propane gas. Also available with storage base with doors, suffix S, and modular top, suffix T



NOTE: Ranges supplied with casters must be installed with an approved restraining device.

Garland Commercial Industries, LLC
 185 East South Street
 Freeland, PA 18224
 Phone: (570) 636-1000
 Fax: (570) 636-3903

Garland Commercial Ranges Ltd
 1177 Kamato Road,
 Mississauga, Ontario
 L4W 1X4 CANADA
 Phone: 905-624-0260
 Fax: 905-624-5669



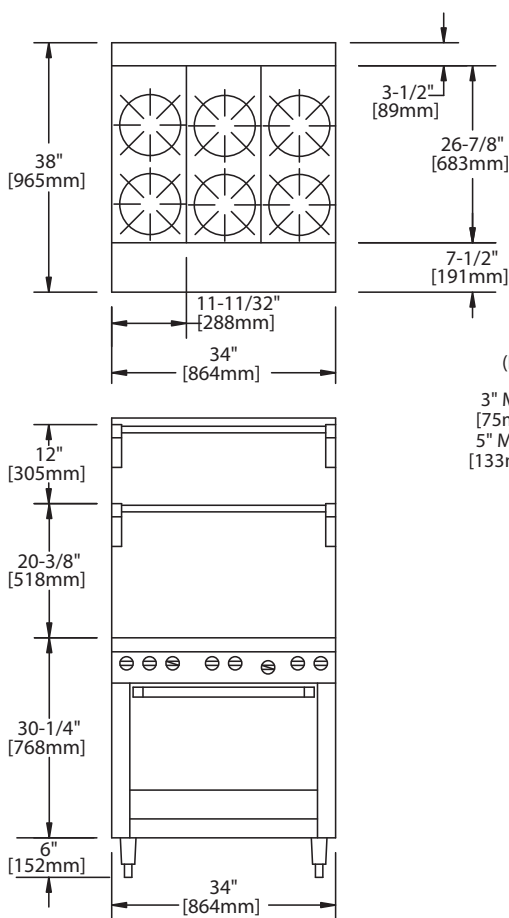
Product	Width: In(mm)	Depth: In(mm)	Height: In(mm) (w/ NSF Legs)	Height: In(mm) (w/o NSF Legs)	Oven/Storage Base Interior: in(mm)		
					Width	Depth	Height
M43R	34(864)	38(965)	36-1/4(921)	30-1/4(768)	26-1/4(667)	29(737)**	13-1/2(343)
M43S	34(864)	38(965)	36-1/4(921)	30-1/4(768)	26(665)	30-1/2(773)	20-1/2(519)
M43T	34(864)	38(965)	36-3/8(924) w/stand	9-1/2(241) w/o stand*	N/A	N/A	N/A

*Modular Top has 1½" seating flanges **RC oven is 25"(635mm) deep

INPUT-BTU/hr (Natural Gas)	M43R & M43RC	M43S & M43T
Top Section***	144,000 (42.19kW)	144,000 (42.19kW)
Oven ***	40,000 (11.72kW)	N/A
Total	184,000 (53.91kW)	144,000 (42.19kW)

RC=Range w/Convection Oven R=Range w/Oven S=Range w/Storage Base T=Modular Top
 *** Top Sections rated 120,000 BTU (35.16kW) and Oven Rated 35,000 BTU (10.25kW) for Propane gas

INSTALLATION NOTES			Shipping Wt: (Lb/Kg) ²
Combustible Wall Clearances ¹	Entry Clearances	Operating Pressure	M43R 440/200
Sides: 11" (279mm) Back: 6" (152mm)	Crated: 39-1/4"(997mm) Uncrated: 34-1/4" (870mm)	Natural: 6 WC (15mbar) Propane: 10 WC (25mbar)	M43S 340/155
			M43T 250/114



¹NOTE: Installation clearance reductions are applicable only where local codes permit.

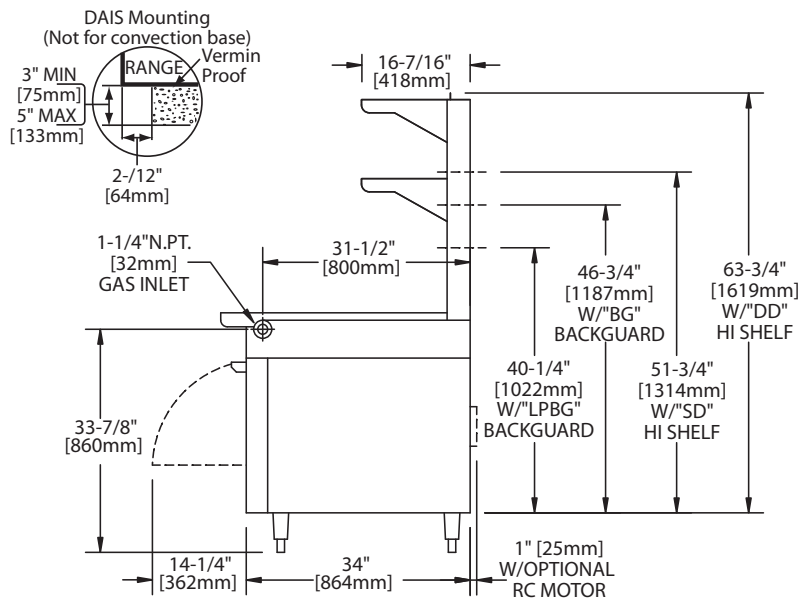
²Shipping Cubic Feet 50 for R & S Models, 20 for T models

Data applies only to North America

Gas input ratings shown here are for installations up to 2,000 ft. (610m) above sea level. Specify altitudes over 2,000 ft.

Electrical characteristics each RC oven: 1/3 HP motor, 120 VAC, single phase, 3.4 amps, 6 ft. (1.8m) power cord with NEMA 5-15P plug provided. 230 VAC export is direct connect, single phase, 50 Hz.

Please specify gas type when ordering.



Form# M43 (09/02/09)