



Project \_\_\_\_\_  
 Item # \_\_\_\_\_  
 Quantity \_\_\_\_\_

## SPECTRUM Commercial Microwave with Touch Controls

Models: EMW-1000ST

The Spectrum Touch Control Microwave is the ideal choice for convenience and speed when heating soups, sandwiches or pre-packed meals. At a powerful 1000W, with a unique motor-driven bottom antenna for efficient energy distribution, this commercial microwave provides consistent results with frequent, repeated use, essential for quick-serve restaurants, concession stands, prep stations and more. Features include a spacious 0.9 cu. ft. capacity, and customizable power levels and cook timer up to 60 minutes. This attractive, fully stainless steel interior and exterior unit is durable and easy-to-clean.



### Standard Features


- ◆ 1,000 watts of cooking power for quick heating
- ◆ Motor-driven bottom antenna for efficient energy distribution and consistent results
- ◆ Engineered for commercial kitchen use
- ◆ Stainless steel interior with bottom ceramic plate
- ◆ Ample 0.9 cubic feet (25 L) oven capacity
- ◆ Accommodates 12" (30.5 cm) diameter platter
- ◆ Customizable power levels, 10 preprogrammed cooking options, manual time and power option plus 2X multiple quantity buttons
- ◆ Backlit LED display
- ◆ Interior oven light
- ◆ One year parts and labor warranty

EMW-1000ST    Energy Verified  
 Rendement  
 Énergétique Vérifié

### Options & Accessories


PTW-7K	Tortilla Warmer
PH-8N	Neoprene Pot Holder
PFS-1	Face Shield
PPCR-Series	Plate Covers

**For California Customers**  
 **WARNING:** Cancer and Reproductive Harm - [www.P65Warnings.ca.gov](http://www.P65Warnings.ca.gov)

 **New Jersey:** 888-946-2682  
**Florida:** 786-536-4656  
**California:** 888-946-2652

 [equipsales@wincous.com](mailto:equipsales@wincous.com)

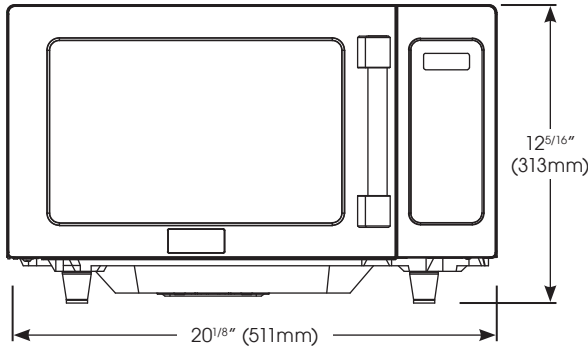
 [www.wincous.com](http://www.wincous.com)

 • Lodi, New Jersey  
 • Miami, Florida  
 • La Mirada, California

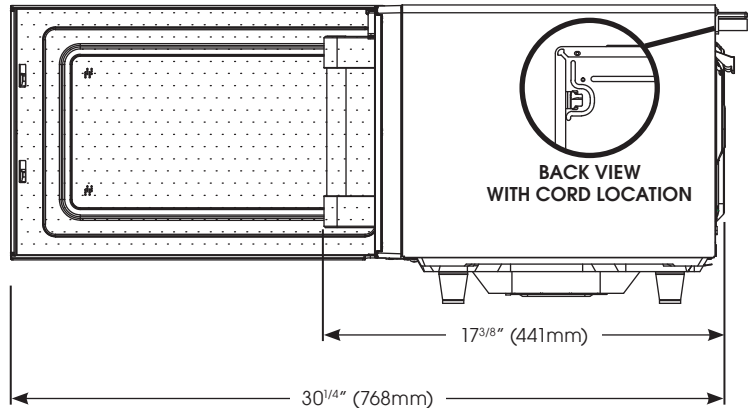


# Commercial Microwave with Touch Controls

Models: EMW-1000ST



FRONT VIEW



SIDE VIEW WITH DOOR OPEN

MODEL	DESCRIPTION	OVERALL DIMENSIONS			VOLTS	HZ/PH	WATTS	AMPS	PLUG	SHIP WEIGHT
		LENGTH	DEPTH	HEIGHT						
EMW-1000ST	Commercial Microwave with Touch Controls	20-1/8" (511mm)	17-3/8" (441mm)	12-1/4" (311mm)	120	60	1,000	12	NEMA 5-15P	35.7 lbs (16.2 kgs)

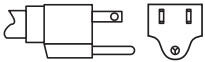
\*Note: Minimum clearance Top 12"(300mm), Sides 4"(100mm), Back 4"(100mm)

### Cord Location

On back top right rear

### Plug Configuration

NEMA 5-15P



### Product Specs

#### Commercial Microwave with Touch Controls

The Touch Control Microwave model EMW-1000ST as manufactured by Winco®, Lodi, NJ 07644.

Touch Control Microwave model EMW-1000ST shall be rated at 1000 Watts with NEMA 5-15P plug. Microwave shall have Customizable power levels, 10 preprogrammed cooking options, manual time and power option plus 2X multiple quantity buttons, motor-driven bottom antenna for efficient energy distribution and consistent results, backlit LED display, and Interior oven light. Units shall be constructed of stainless steel interior with bottom ceramic plate. Cavity shall have a capacity of 0.9 cubic ft (25L) and accommodates a 12" (305mm) platter.

cULus and ETL Sanitation listed.

Warranty consists of one year parts and labor.



New Jersey: 888-946-2682  
 Florida: 786-536-4656  
 California: 888-946-2652



equipsales@wincous.com



www.wincous.com



• Lodi, New Jersey  
 • Miami, Florida  
 • La Mirada, California