

Sandwich and Salad Units



| Model | Size |
|--------|----------|
| S29-HC | 29" Unit |
| S48-HC | 48" Unit |
| S61-HC | 61" Unit |
| S72-HC | 72" Unit |

STANDARD FEATURES

- Solid state thermostat with digital display
- 1/6 size Lexan pans included
- Full-length poly-vinyl cutting board included
- Stainless steel front & sides
- Self closing doors remain open past 90°
- Reversible door on S29-HC (with additional parts)
- Environmentally friendly R290
- EZ slide out condenser
- Whisper quiet
- Solid construction
- Full length integrated door handle
- Casters with two front brakes
- Cool air intake
- Clearance 2" sides, 2" Rear

*Not suitable for installation in a non-commercial or residential applications.

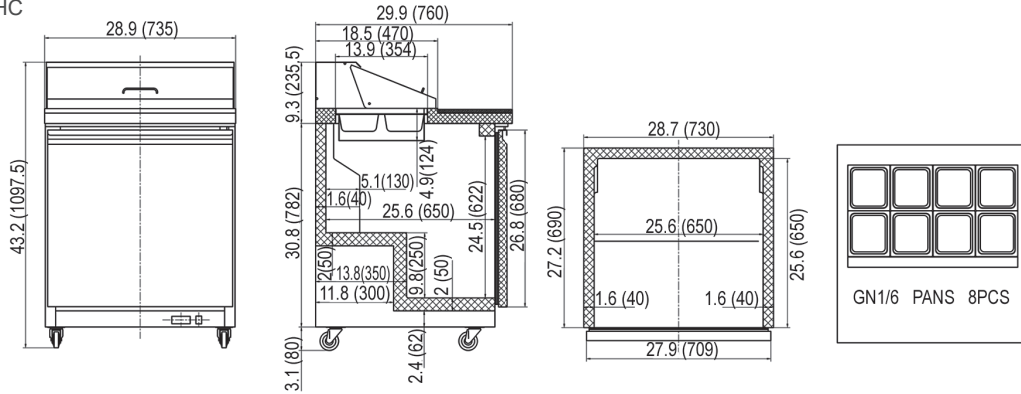
| Items | Description | Items | Description |
|--------------------|-----------------------------|----------------------|--|
| Front, top & sides | Stainless steel | Temperature control | Solid state thermostat/Digital display |
| Doors | Stainless steel / ABS liner | Approvals | ETL Listed |
| External back | Aluminum | Refrigerating system | Capillary tube |
| Cabinet interior | ABS | Refrigerant | R290 |
| Interior floor | Stainless steel | Temperature range | 34-38F |
| Insulation | Polyurethane (CFC free) | Evaporator | Powder coated aluminum/copper |
| Shelves | Heavy duty, PVC coating | Condensing unit | Rear mounted |
| Cutting board | Vinyl (included) | | |

REFRIGERATION

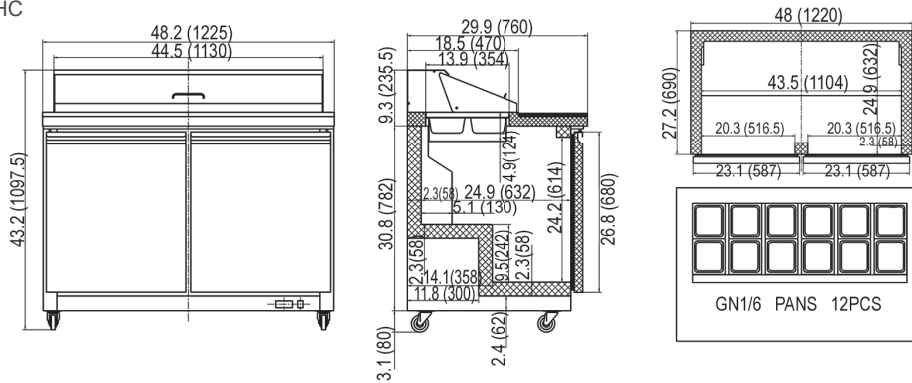


DETAILS AND DIMENSIONS

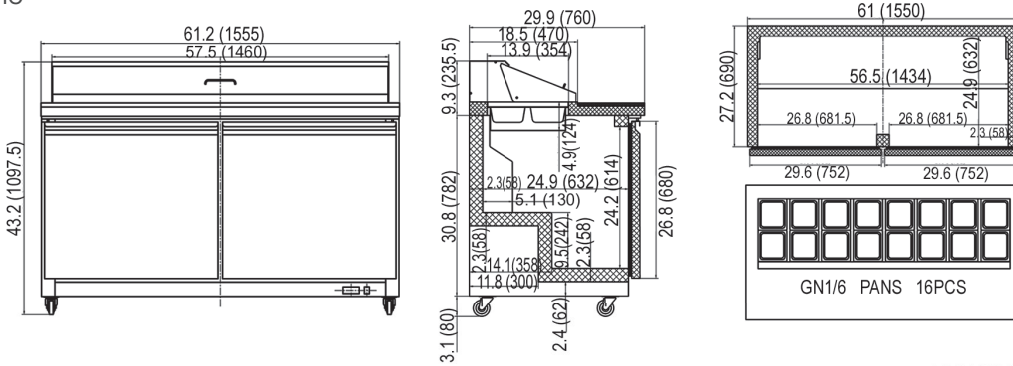
S29-HC



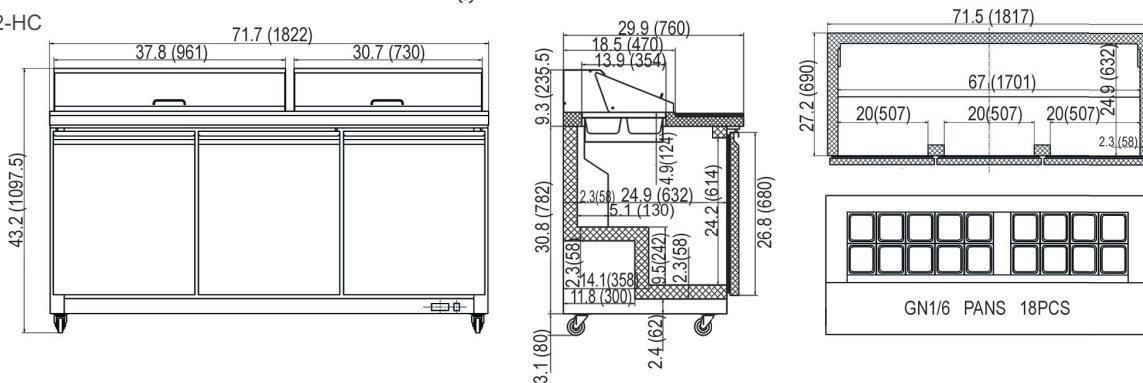
S48-HC



S61-HC



S72-HC



| Model | Doors | Shelves | Pans | Cabinet Dim (inches) | | | HP | Voltage | Amps | NEMA Plug | Cord Length | Crated Weight |
|--------|-------|---------|----------|----------------------|------|------|-----|----------|------|-----------|-------------|---------------|
| | | | | L | D | H | | | | | | |
| S29-HC | 1 | 1 | 8 (1/6) | 28.9 | 29.9 | 43.3 | 1/3 | 115/60/1 | 3 | 5-15P | 10 | 276 |
| S48-HC | 2 | 2 | 12 (1/6) | 48.2 | 29.9 | 43.3 | 1/2 | 115/60/1 | 4.3 | 5-15P | 10 | 313 |
| S61-HC | 2 | 2 | 16 (1/6) | 61.2 | 29.9 | 43.3 | 1/2 | 115/60/1 | 4.3 | 5-15P | 10 | 362 |
| S72-HC | 3 | 6 | 18 (1/6) | 71.7 | 29.9 | 43.2 | 1/2 | 115/60/1 | 4.3 | 5-15P | 10 | 408 |